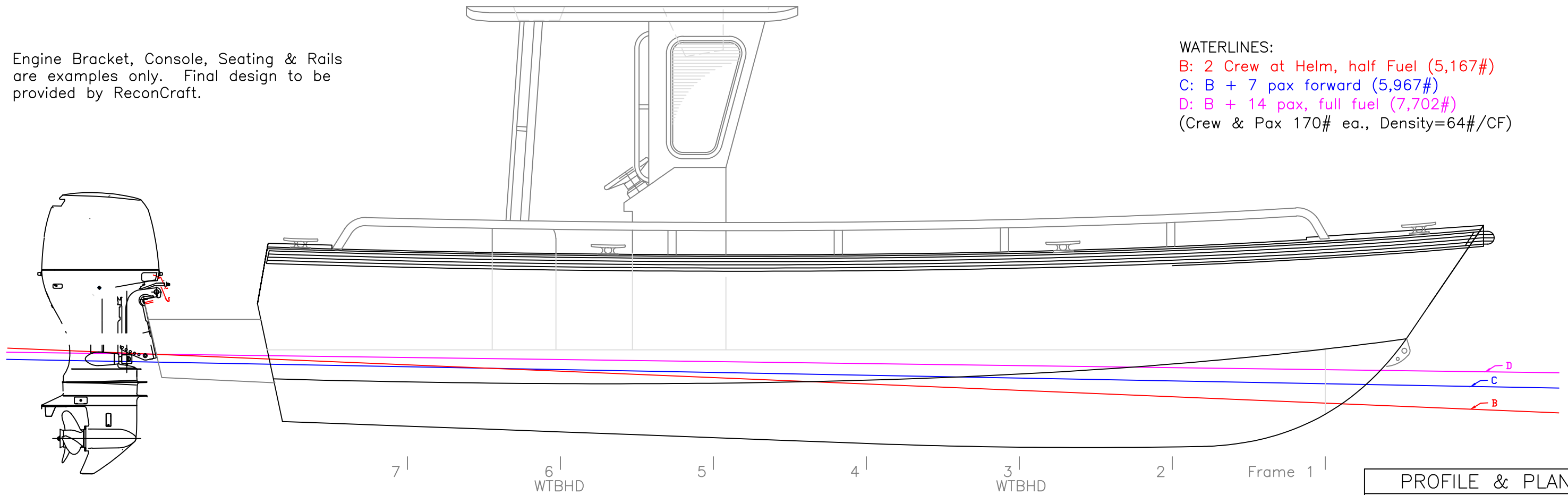


Engine Bracket, Console, Seating & Rails are examples only. Final design to be provided by ReconCraft.

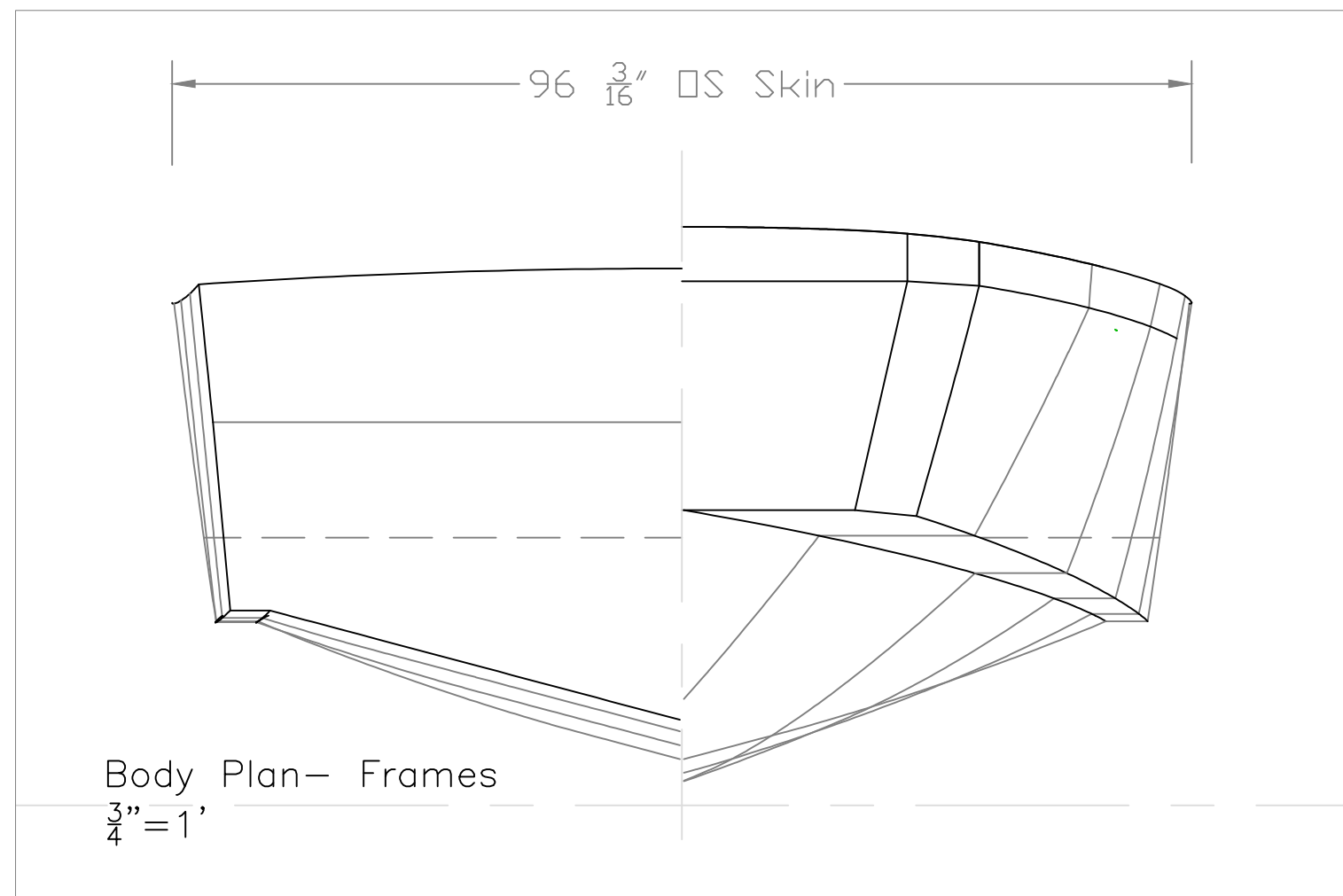
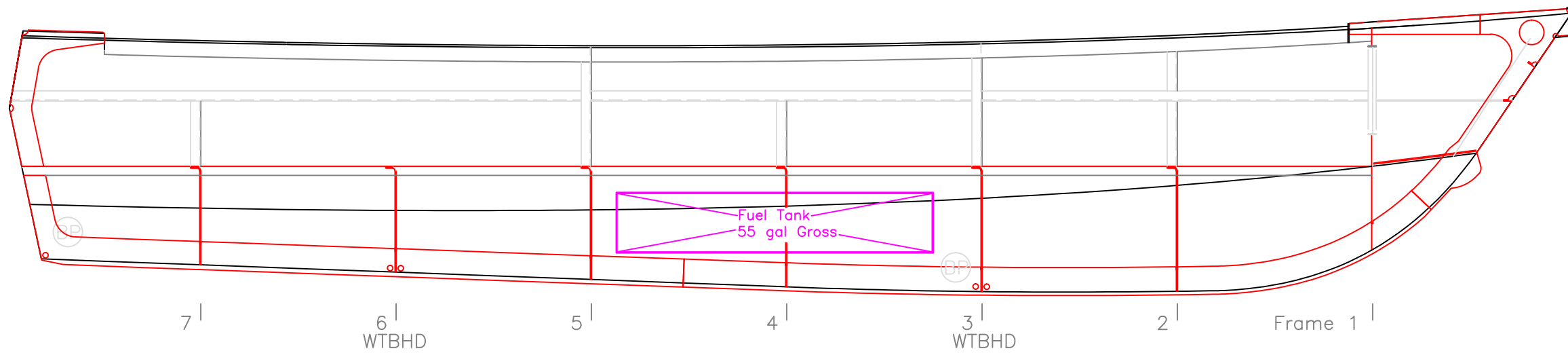
**WATERLINES:**

- B: 2 Crew at Helm, half Fuel (5,167#)
  - C: B + 7 pax forward (5,967#)
  - D: B + 14 pax, full fuel (7,702#)
- (Crew & Pax 170# ea., Density=64#/CF)



<b>PROFILE &amp; PLAN</b>			
<b>Response #540-24'x8' BB</b>			
SCALE 1/2" = 1'	DES/DWN WAL	DATE 11/3/16	SHEET
<b>Response Marine, Inc.</b>		DWG NO. 540-1	
Newburyport, MA, <a href="http://www.responsemarine.com">www.responsemarine.com</a>			

REV.	DESCRIPTION



INBOARD PRO. & BODY PL.		
Response #540-24'x8' BB		
SCALE 1/2" = 1'	DES/DWN WAL	DATE 11/3/16
<b>Response Marine, Inc.</b> Newburyport, MA, <a href="http://www.responsemarine.com">www.responsemarine.com</a>		SHEET DWG NO. 540-2

REV. DESCRIPTION